

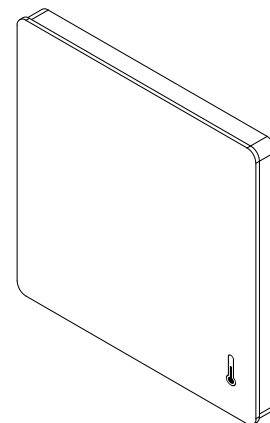
### DESCRIPTION

Wall mounted temperature probe with GLASS front finish, available in white or black.

The TS-GLASS temperature probe allows measurement of ambient temperature of the surrounding air, for example for HVAC regulation within a room.

It is recommended to install the probe in a location away from sources of heat or cold that could introduce errors in temperature measurements.

Compatible with Iddero touch panels (HC3-KNX, HC3L-KNX, Iddero VERSO family) and with Iddero Home Server / Iddero Home Server 3.



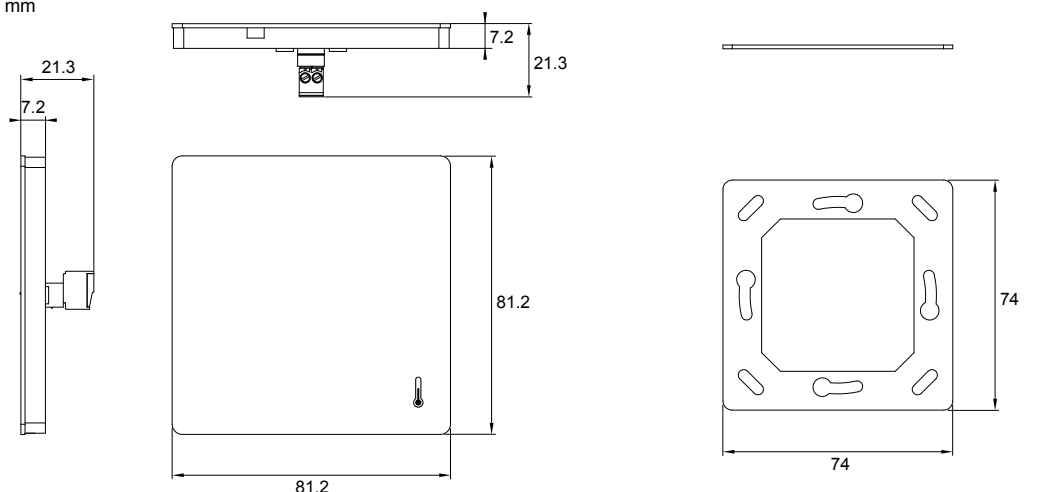
### TECHNICAL SPECIFICATIONS

<b>Mechanical</b>	Form factor		Wall mounted unit
	Enclosure material		ABS FR V0
	Degree of protection		IP20
	Weight		58 g / 84 g (excluding / including mounting chassis)
	Magnetic fixing		4x gold-plated N50 neodymium magnets (pull: 4x 1.2 kg)
	Mounting box		Standard square or rounded flush mounting box (not included) Iddero part numbers: E-C466 / E-C456
<b>Connection</b>	Connector		2-way pluggable terminal block, 3.5 mm pitch
	Wiring	Cable type	Shielded twisted pair, conductor section 0.2 to 1.5 mm <sup>2</sup>
		Cable length	Maximum recommended length: 30 m
<b>Measurement</b>	Range		-30..90 °C
	Accuracy		±0.3 °C @ 25 °C

Specifications subject to change without notice

### DIMENSIONS

All dimensions in mm



**IMPORTANT:** Only qualified electricians should install, service, or manipulate this equipment. Existing regulations for the prevention of accidents must be observed, as well as any national or local codes and regulations and standard safety precautions.



This product is an electronic device, and must not be disposed of in household waste. At the end of its life cycle, the product must be taken to an electric and electronic waste collection facility.